

Release Notes Configura 9.3.3

June 25, 2018

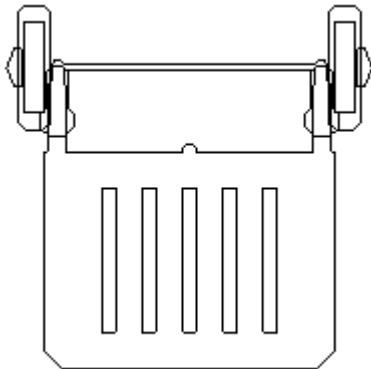
News & Changes

- Added support for import of SketchUp 2018 models.

Bug fixes

- New graph type added to solve catalogues 2D shapes generated from 3D containing polygons with holes, see images below:

Older versions



9.3.3 version

